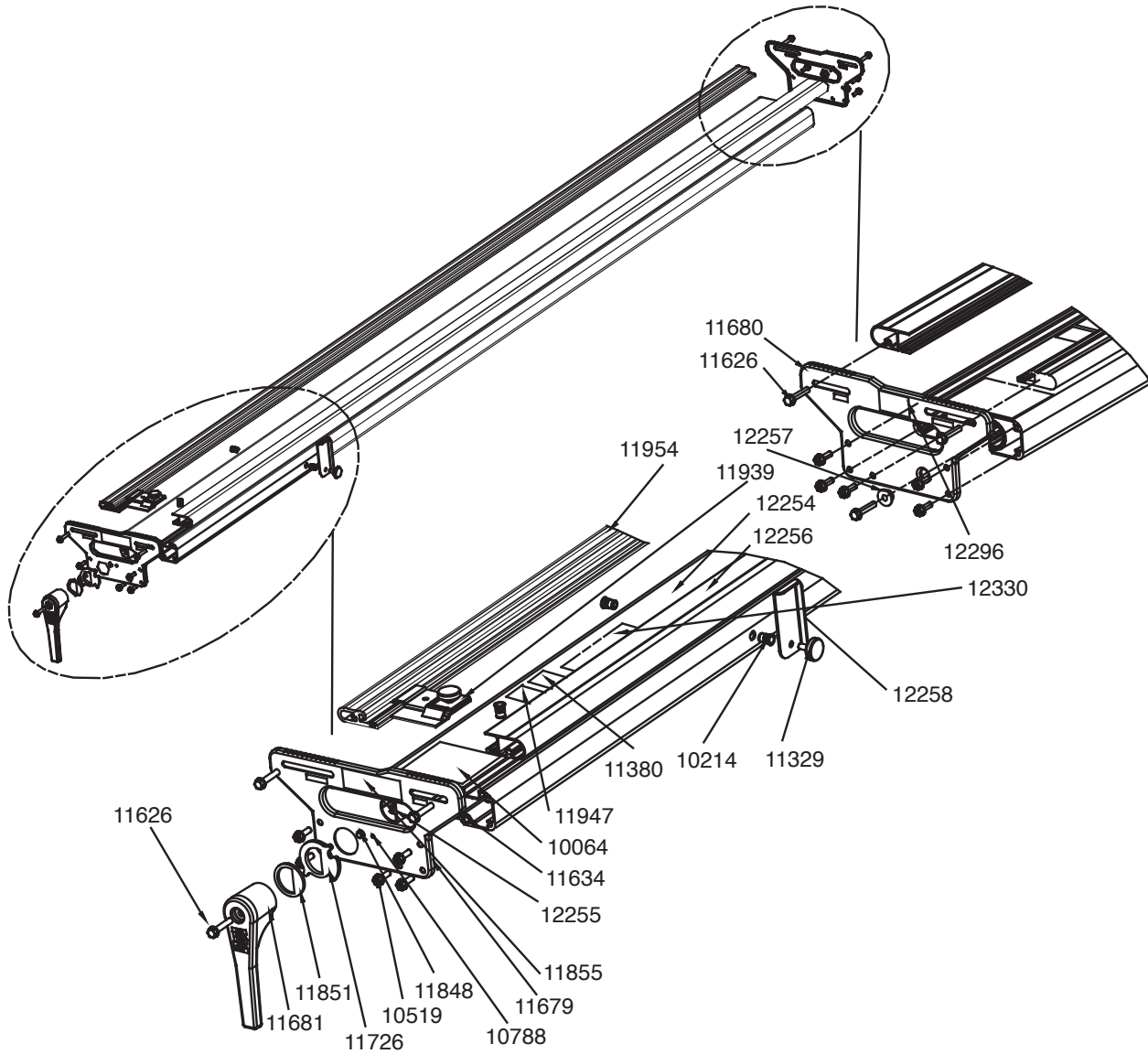


MAXTrax™

saw table with oversized work surface



Item #	Description
10064	Warning Label
10214	1/4 -20 Rivet Nut Insert
10519	1/4 -20 x 3/4" Hex Hd Sc
12303	1/4 -20 x 3/4" Knurled Knob
11626	1/4 -20 x 1 1/4" Hex Hd Sc
11634	Boom Stopper
11679	Left Boom End
11680	Right Boom End
11681	Boom Handle
11726	Boom Handle Collar
10788	1/8" Rivet
11848	Spring Button-F152
11851	Collar Gasket

Item #	Description
11855	Boom Label
11939	Saw Keeper Assembly
11947	Clean and Lube Label
11954	1/2" Protrax Bushing
12253	Boom
12255	Cam Shaft
12256	Right Saw Track
12257	Left Saw Track
12258	MAXTrax Boom Support
12266	Saw Track Wear Strip
12330	MAXTrax Label