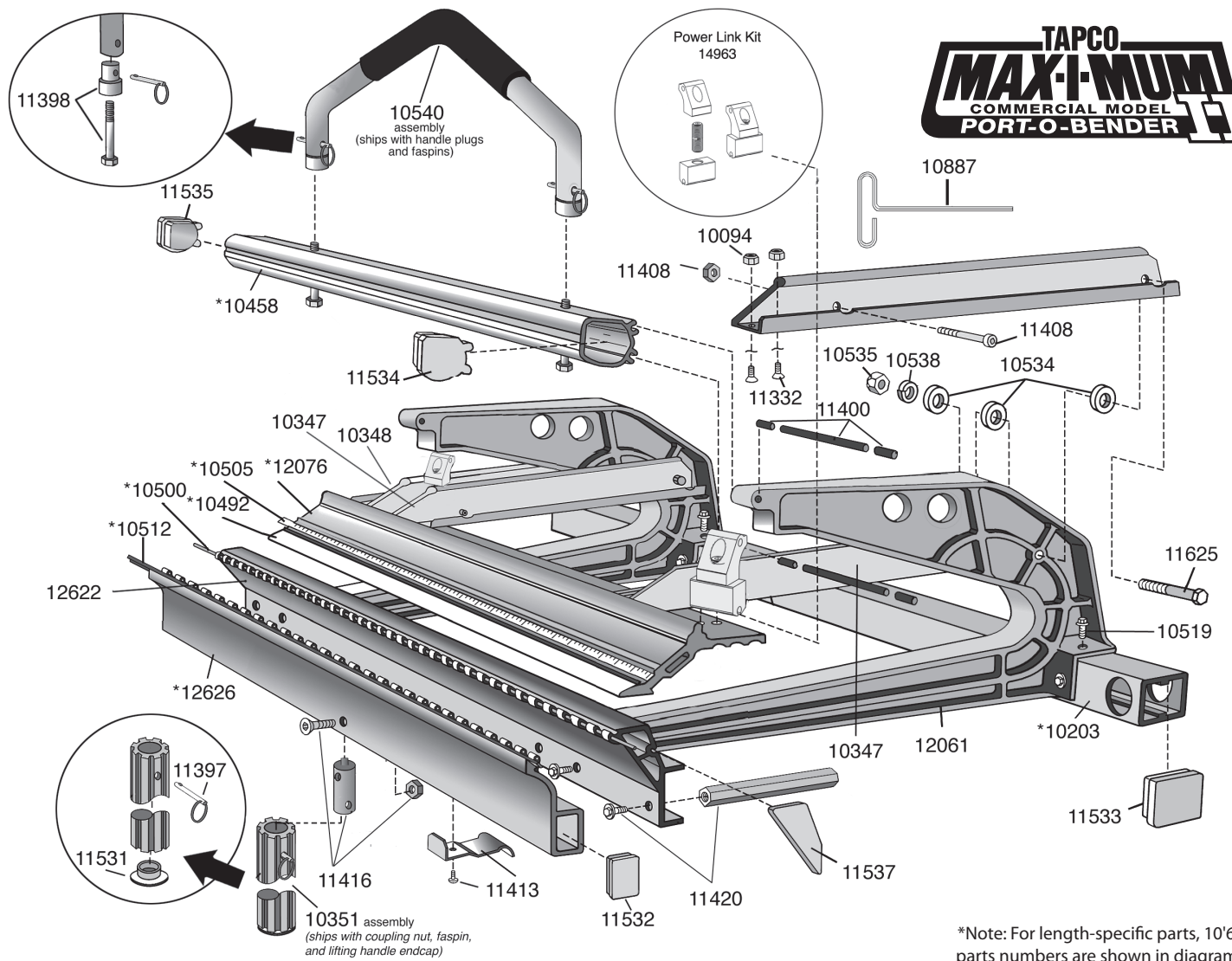


# TAPCO MAX-I-NUM COMMERCIAL MODEL PORT-O-BENDER II



\*Note: For length-specific parts, 10'6" parts numbers are shown in diagram.

Item #	Description
10094	1/4 -20 Hex Flange Nut
12625	8'6" Max Moving Hinge
12626	10'6" Max Moving Hinge
12627	12'6" Max Moving Hinge
12628	14'6" Max Moving Hinge
12621	8'6" Max Fixed Hinge
12622	10'6" Max Fixed Hinge
12623	12'6" Max Fixed Hinge
12624	14'6" Max Fixed Hinge
10201	8'6" Max Back Rail
10203	10'6" Max Back Rail
10205	12'6" Max Back Rail
10207	14'6" Max Back Rail
10347	Max/Pro 19 Left Pivot Arm
10348	Max/Pro 19 Right Pivot Arm
10351	Lifting Handle Assembly
10454	HD Pro/Max 8'6" Locking Handle
10458	HD Pro/Max 10'6" Locking Handle
10462	HD Pro/Max 12'6" Locking Handle
10464	Max 14'6" Locking Handle
10491	8'6" Stainless Edge
10492	10'6" Stainless Edge

Item #	Description
10493	12'6" Stainless Edge
10494	14'6" Stainless Edge
10499	8'6" Hinge Pin
10500	10'6" Hinge Pin
10501	12'6" Hinge Pin
10502	14'6" Hinge Pin
10504	12'6" Tape Measure
10505	10'6" Tape Measure
10506	8'6" Tape Measure
12369	14'6" Tape Measure
10511	8'6" Vinyl Strip
10512	10'6" Vinyl Strip
10513	12'6" Vinyl Strip
10514	14'6" Vinyl Strip
10519	1/4 -20 x 3/4" Hex Wash HD Screw
10534	3/8" Flat Washer
10535	3/8-16 Nylock Hex Nut
10538	3/8" Lock Washer
10540	Hemming Handle Assembly
10887	T-Handle Hex Key
11332	Screw 1/4-20 x 7/8" Flat HD
14963	Power Link Kit
11397	1/4" x 1 1/4" Faspin Kit (4)
11398	Hemming Handle Plug Kit

Item #	Description
11400	Locking Handle Pin Kit
11408	Bolt and Nut Kit
11413	Hinge Clip Kit
11416	Max Handle Plug Kit
11420	Coupling Nut Kit
11531	Lifting Handle Cap
11532	Moving Hinge Cap
11533	Back Rail Cap
14896	Locking Bar Cap
11536	Left Base Hinge Cap
11537	Right Base Hinge Cap
11625	3/8-16 3/4" Hex Cap Bolt
12042	10'/12' MaxII Parts Bag
12055	8' MaxII Parts Bag
12056	14' MaxII Parts Bag
12061	Pro 19/Max C Casting
12075	8'6" Max Locking Anvil
12076	10'6" Max Locking Anvil
12077	12'6" Max Locking Anvil
12078	14'6" Max Locking Anvil