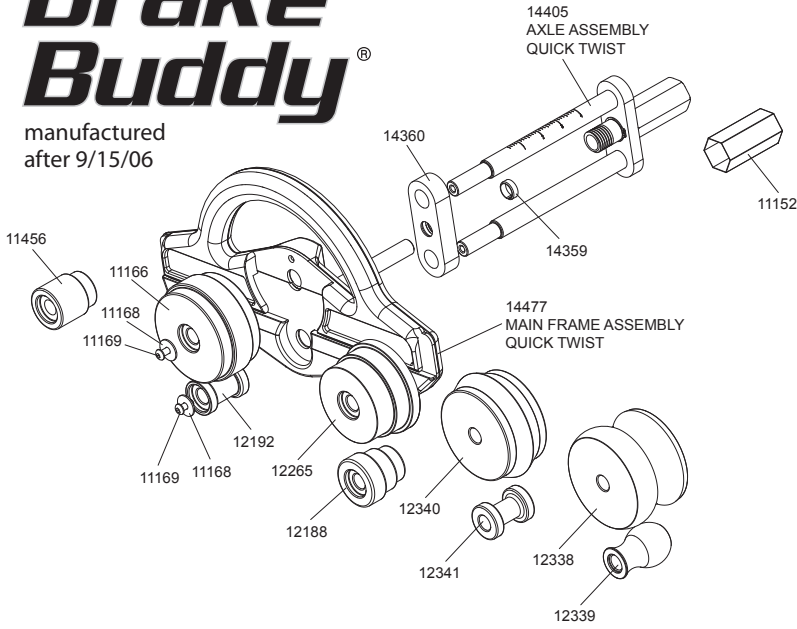


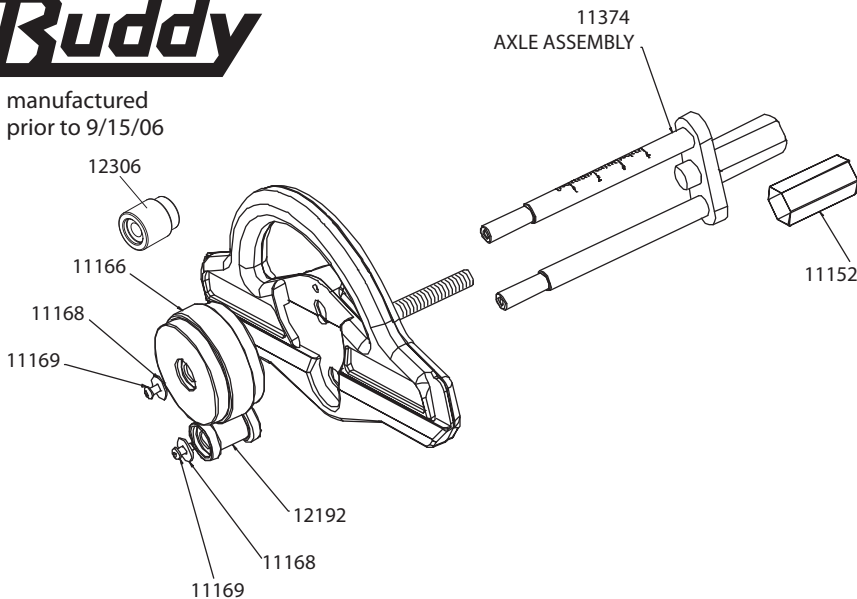
Brake Buddy®

manufactured
after 9/15/06



Brake Buddy

manufactured
prior to 9/15/06



| Item # | Description |
|---|---|
| 11152 | Handle Grip |
| 14405 | Axle Assembly |
| 14477 | Main Frame Assembly |
| 11166 | Rib Roller Upper |
| 12192 | Rib Roller Lower (steel) |
| 11168 | Washer |
| 11169 | Roller Cap Screw |
| 12265 | Graduated Brick Mold Upper Roller |
| 12188 | Graduated Brick Mold Lower Roller (steel) |
| 11456 | Graduated Traditional Brick Mold Lower Roller (Steel) |
| 12340 | V-Groove Upper Roller |
| 12341 | V-Groove Lower Roller |
| 12338 | Crown Molding Upper Roller |
| 12339 | Crown Molding Lower Roller |
| 14359 | Plastic Collet |
| Brake Buddy (prior to 9/15/06) | |
| 11152 | Handle Grip |
| 11168 | Washer |
| 11169 | Roller Screw Cap |
| 11374 | Axle Assembly |
| 11166 | Upper Rib/Fascia Roller |
| 12192 | Lower Rib/Fascia Roller |
| 12340 | Upper V Groove Roller |
| 12341 | Lower V Groove Roller |
| Brake Buddy purchased prior to 3/15/04 | |
| 11163 | Upper Brick Mold Roller |
| 12302 | Steel Original Brick Mold Lower Roller |
| 12306 | Steel Original Traditional Brick Mold Roller |