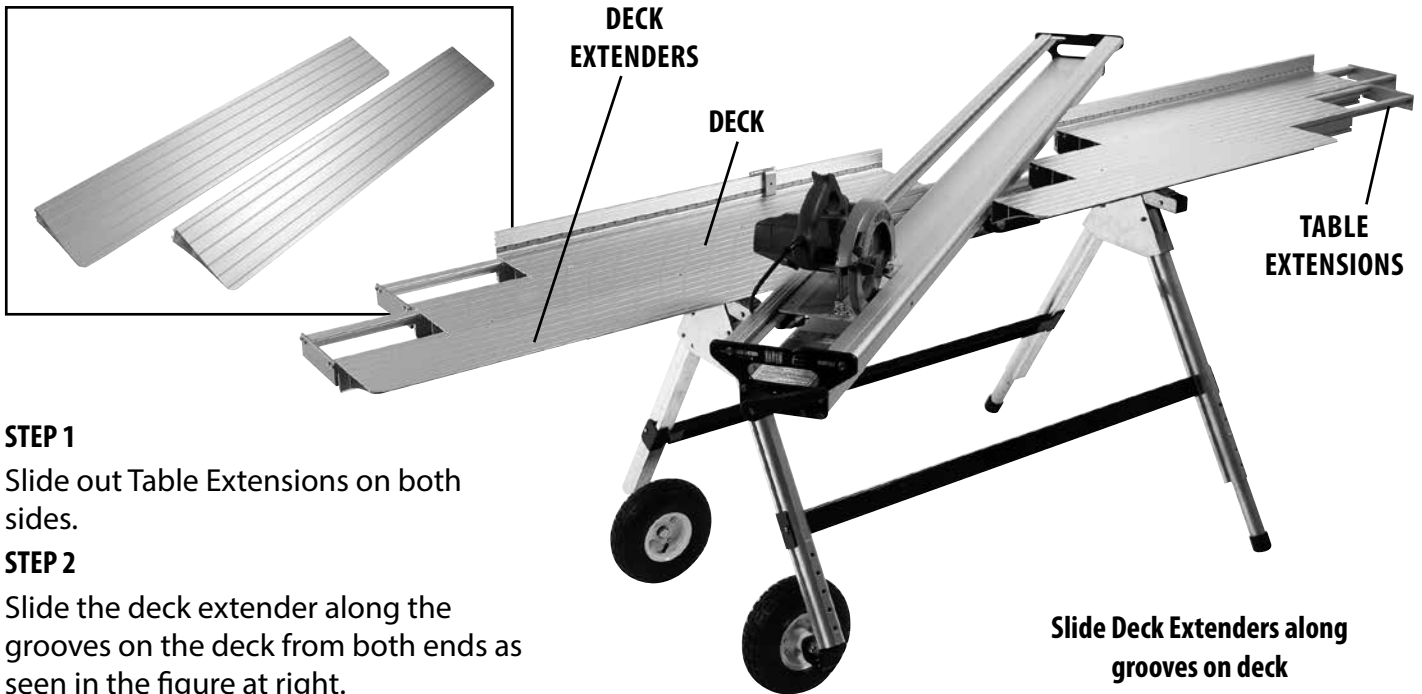


Attaching Deck Extender - (Optional on ProTrax)



STEP 1

Slide out Table Extensions on both sides.

STEP 2

Slide the deck extender along the grooves on the deck from both ends as seen in the figure at right.

STEP 3

Now you can slide the Table Extensions.

Slide Deck Extenders along grooves on deck