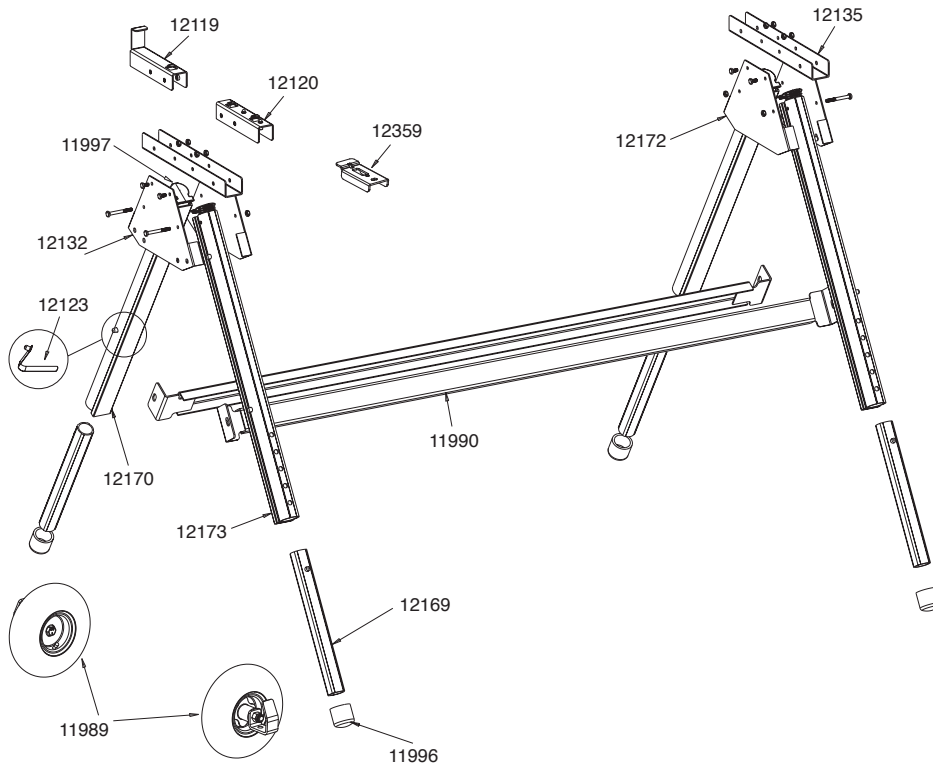


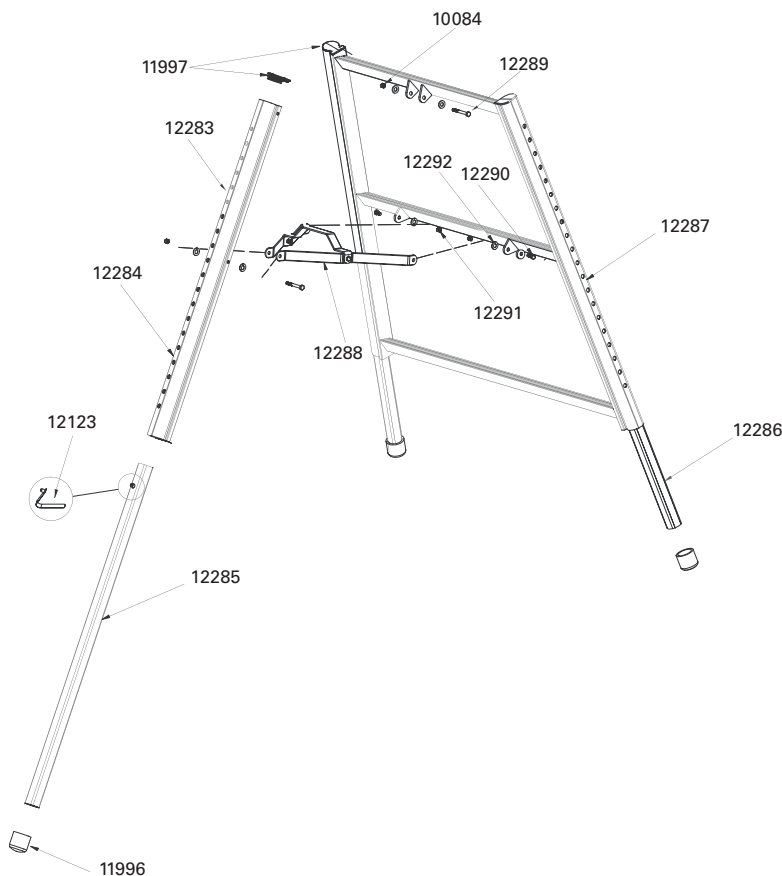
# Snap Stand™

Original Snap Stand  
MAX Snap Stand  
Port-O-Slitter Snap Stand  
MAX Slitter Snap Stand



Item#	Description
11990	Cross Brace Assembly
11996	Rubber Leg Cap
11997	Bronco End Plug
12111	Universal Adaptor Kit (2) 12120, (2) 12119, and (1) 12323
12123	Snap Button
12135	Top Channel
12132	Outer Side Plate
12172	Inner Side Plate
12170	Left Outer Leg Assembly
12173	Right Outer Leg Assembly
12169	Inner Leg Assembly
12120	Front Universal Adaptor
12119	Rear Universal Adaptor
12323	Snap Stand Parts Bag
12404	Max Snap Stand Upgrade Kit Upgrades your Snap Stand to a Max Snap Stand
<b>MAX Snap Stand Specific Parts</b>	
12318	Max Adaptor Bracket Assembly
12321	Counter Balance Step
12320	Counter Balance Step Connector
12322	Max Snap Stand Parts Bag
12319	Side Plate Assembly
<b>Port-O-Slitter Snap Stand Specific Parts</b>	
12344	24" POS Cross Brace Assembly
12365	POS Snap Stand Adaptor
12379	POS Snap Stand Parts Bag
<b>MAX Slitter Snap Stand Specific Parts</b>	
12210	Max Slitter Cross Brace Assembly
12359	Max Slitter Snap Stand Adaptor

\*Please contact Customer Service for pricing.



Item#	Description
11996	Rubber Leg Cap (Round)
11998	Rubber Leg Cap (Square)
11997	Bronco End Plug
12123	Snap Button
12283	Bronco Outer Leg Support
12284	Bronco Leg Support Assembly
12285	Bronco Inner Leg Support Assembly
12286	Bronco Inner Main Leg Assembly
12287	Bronco Main Step Assembly
12288	Spreader Assembly
10084	14-20 2-Way Locking Nut
12289	1/4-20 X 2 1/2" Hex Bolt
12290	5/16-18 X 3/4" Hex Bolt
12291	5/16-18 Nylok Hex Nut
12292	3/8" Plastic Washer

Parts sold in kits are not available for purchase individually.