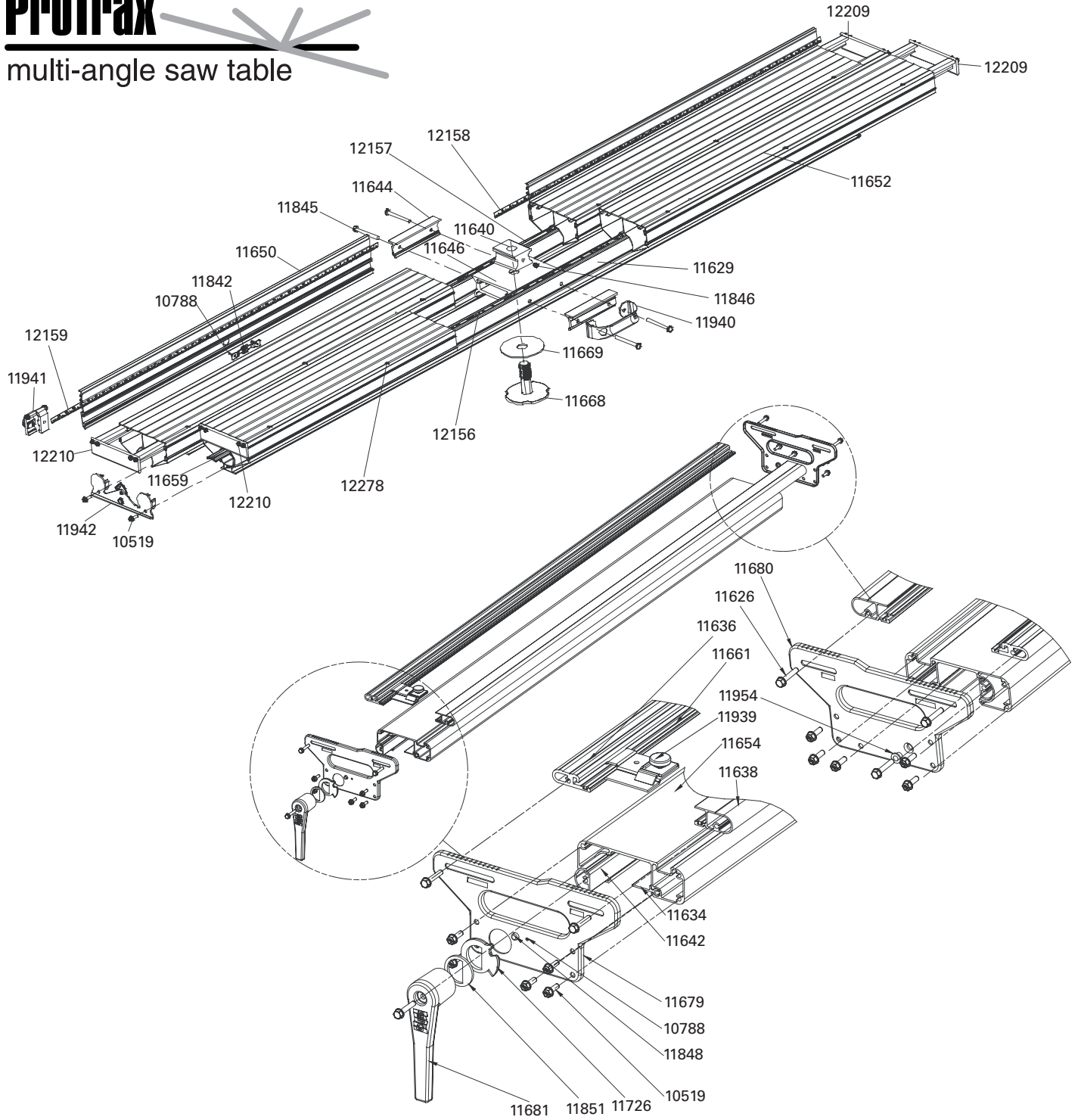


ProTrax™

multi-angle saw table



Item#	Description
10519	1/4-20x3/4" Hex Wash Hd Sc
10788	1/8" Pop Rivet
11626	1/4-20 x 1 1/4" Hex HD SC
11629	Sub Structure
11634	Boom Stopper
11636	Saw Track Left
11638	Saw Track Right
11640	Cam Locking Block
11642	Cam Shaft
11644	Center Mount
11646	Center Plate
11650	Material Fence
11652	Work Surface
11654	Boom
11659	Sub Structure Wear Strip

Item#	Description
11661	Saw Track Wear Strip
11668	Friction Plate Assembly
11669	Rubber Friction Plate
11679	Boom End Left
11680	Boom End Right
11681	Boom Handle
11726	Boom Handle Collar
11842	Molded Spring Button
11845	5/16-18x3" Hex Cap Bolt
11846	3/8-16x1/2" Set Screw Flat Pnt
11848	Spring Button-F152
11851	Collar Gasket
11855	Boom Labels
11938	PRO Trax Saw Boom Assembly
11939	Saw Keeper Assembly

Item#	Description
11940	Carrying Handle
11941	Material Stop Assembly
11942	Sub Structure End Cap Assembly
11954	ProTrax Bushing
12156	Long Angle Tape
12157	Short Angle Tape
12158	Right Fence Tape
12159	Left Fence Tape
12209	Right Extension Assembly
12210	Left Extension Assembly
12278	Spring Plunger
12279	PRO Trax Parts Bag

Parts sold in kits are not available for purchase individually.