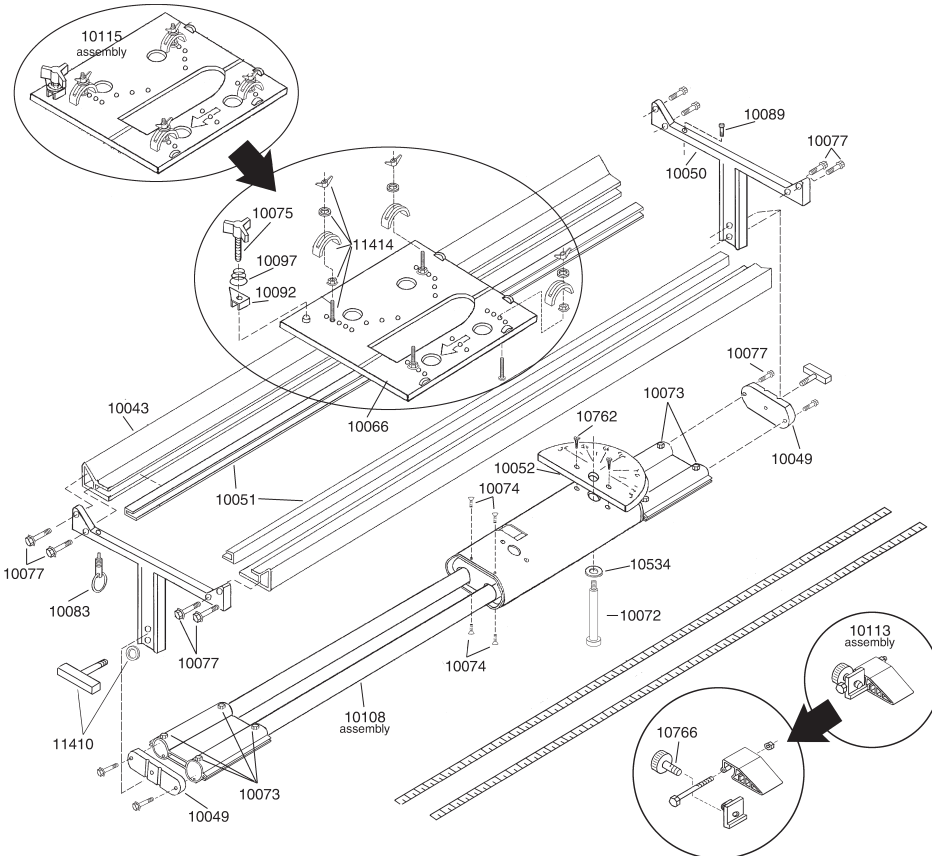


# E-Z Angle

**SIDING TABLE**

**Discontinued 11/1/03**



Item #	Description
10026	Rear Fence
10027	Front Fence
10028	Table Strut
10029	Work Surface
10030	Mounting Bracket
10031	Protractor Support
10043	Saw Guides
10045	1/4-20 X 2" Phil FL Hd Sc
10046	Pivot Block
10047	Carriage Assem Locking Knob
10049	End Casting
10050	T Casting
10051	Saw Track Vinyl
10052	Eza Protractor
10054	3/8-16 X 1 1/2" Hex Bolt
10055	Inside Locking Tube
10058	1/4-20 X 1" Hex Wash Hd Sc
10066	Saw Plate
10067	1/4-20 x 1 3/4" Stud
10068	Lock Spring
10072	3/8 X 3 1/2" Shoulder Bolt
10073	1/4-20 x 2" Hex Bolt
10074	8/32 x 5/16 Phil FL HD Sc
10075	Saw Plate Lock Knob
10077	1/4-20 X 1 1/2" Hex Cap Sc
10078	Storage Block
10079	Protractor Support Vinyl
10080	Tooth Pad
10083	Stop Plunger
10084	1/4-20 2 Way Lock Nut
10085	Velcro Retaining Strap
10089	1/4-20 X 1/2" Socket Cap Sc
10092	Plate Lock
10093	Tape Measure
10097	Plate Lock Spring
10108	Carriage Assembly
10110	Handle Assembly
10111	Locking Assembly
10113	Material Stop W/ Knob
10115	Saw Plate Assembly
10121	Table Extension Arm
10531	Hemming Handle Plug
10534	3/8" Flat Washer
10538	3/8" Lock Washer
10539	1/4" X 1 1/4" Faspin
10759	10-24 X 5/8" Phil Pan Hd Sc
10762	10-24 X 1/2" Phil Flat Hd Sc
10766	1/4-20 X 1" Knurled Knob
11331	Work Surface (old vsn) 2 grvs
11410	EZ Angle Knob
	T-Casting Knob (2)
	1/4" Flat Washer (2)
11414	Saw Plate Clip Kit (4 ea.)
	Saw Clips
	1/4"-20 Wing Nut
	1/4" Flat Washer
	1/4-20 x 1 3/4" Stud
	1/4-20 Hex Nut Serr Flange
12097	EZ Pointer
<b>Extension Arm Components</b>	
10037	10-24 Nylok Hex Nut
10038	Roller Spring
10039	Roller Stud
10040	Roller Cover
10098	Front Ext Rail
10099	Back Rail
10100	Back Rail Bracket
10101	Front Rail Bracket
10102	Roller Bracket
10103	Fixed Roller Bracket
10104	Table Roller
10105	Fixed Bracket Rear
10515	10-24 X 1/2" Pan HD Sc
10801	Roller Tube Insert