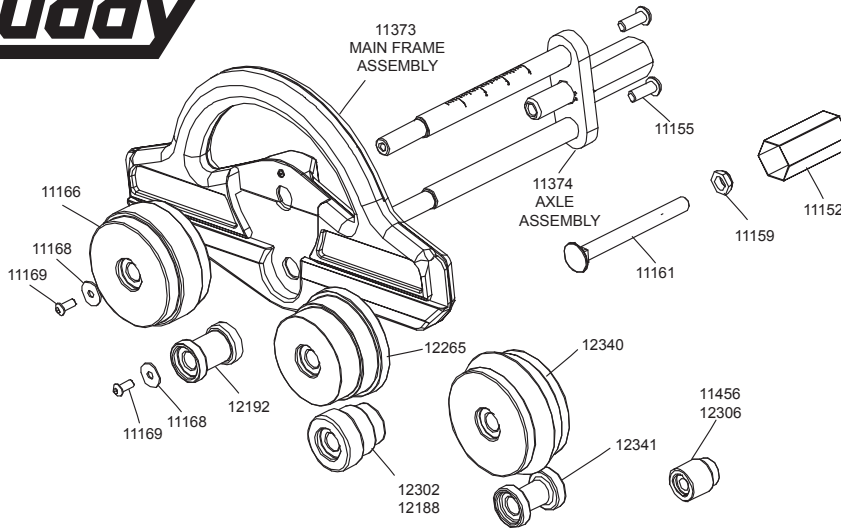
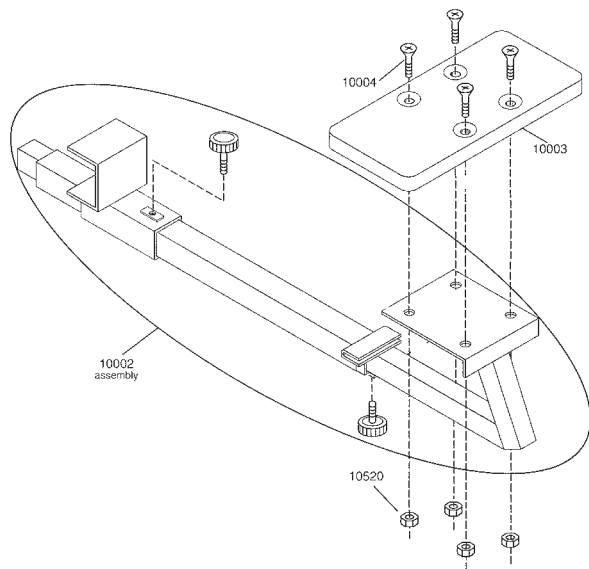


BRAKE Buddy

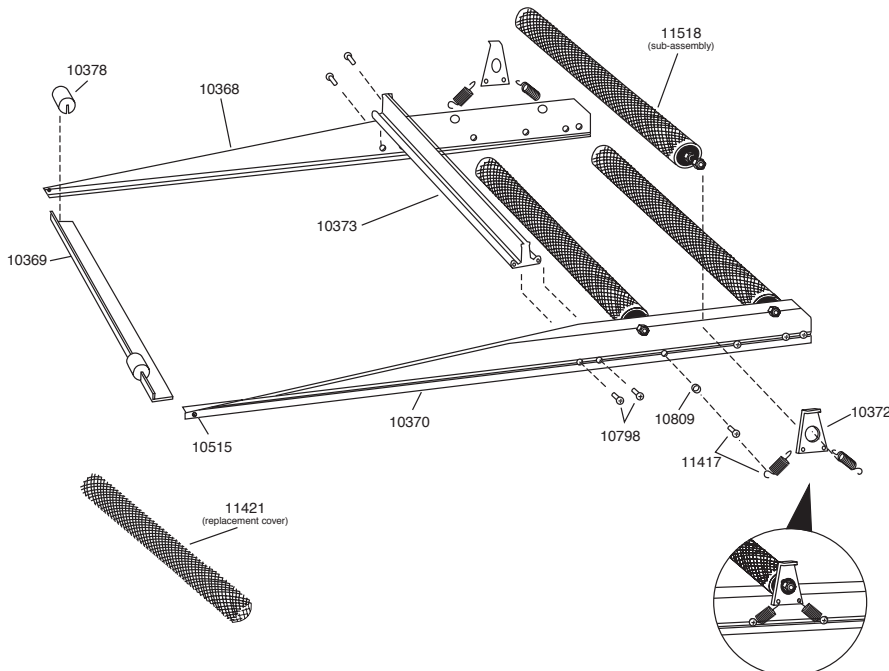


Item#	Description
11152	Handle Grip
11555	Axle Cap Screw
11168	Washer
11169	Roller Screw Cap
11373	Main Frame Assembly
11374	Axle Assembly
11166	Upper Rib/Fascia Roller
12192	Lower Rib/Fascia Roller
12340	Upper V Groove Roller
12341	Lower V Groove Roller
Brake Buddy purchased prior to 3/15/04	
11163	Upper Brick Mold Roller
12302	Steel Original Brick Mold Lower Roller
12306	Steel Original Traditional Brick Mold Roller
Brake Buddy purchased after 3/15/04	
12265	Graduated Upper Brick Mold Roller
12188	Steel Graduated Lower Brick Mold Roller
11456	Steel Graduated Traditional Brick Mold Roller



Bender Table

Item#	Description
10002	Bender Table Assembly
10003	Bender Table Pad
10004	1/4-20 x 1" Phil FL HD
10520	Nut-Hex 1/4-20



The Professional pro-Coiler®

Item#	Description
10368	Left Side Rail
10369	Front Support Bar
10370	Right Side Rail
10372	Roller Clip
10373	Support Bar
10515	10-24 x 1/2 Phil Pan Hd
11417	Pivot Spring Kit (3) Roller/Pivot Spring 10794 (3) 10-24 x 1/2 Phil Pan Hd Screw 10515
11421	Replacement Roller Cover Kit (3) Roller Covers 10796
10798	10-24 x 5/8 Type F Phil Hd Screw
10809	Nylon Spacer
10378	Plastic Coil Guard
11518	Roller Tube (Sub-Assembly)